



DVR/NVR



CAMERA



ACCESSORY



SOFTWARE

4M EX-SDI PoC Camera

K4000PD-IR30

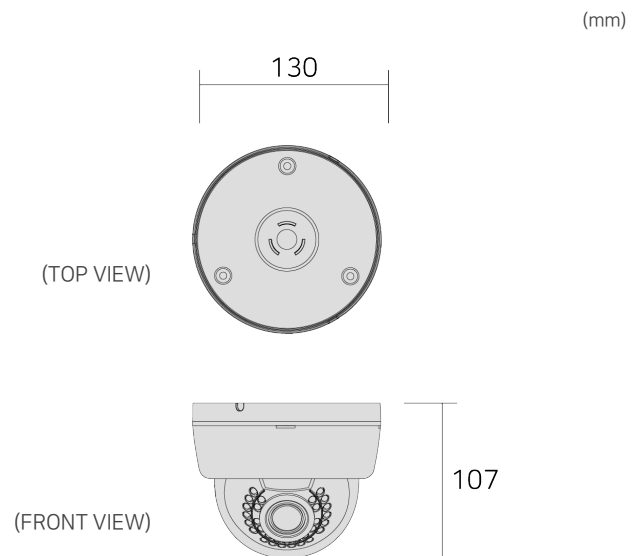
4M QHD | SONY STARVIS | EX-SDI



Key Features

- 5 Megapixel Sony Image Sensor
- Support CoC (UCC-A) for OSD control
- Support 48V PoC
- Support 2 kind of video output resolution (4 Megapixel, 2 Megapixel)
- 4M Output Format : EX-SDI 2.1
- 2M Output Format : EX-SDI, EX-SDI 2.0
- DC Iris, 2.8mm~12mm Megapixel Lens
- 3DNR (Noise Reduction)
- Back Light Compensation (WDR / BLC / HLC)
- True Day&Night (ICR)
- Removing Fog (Defog)
- Privacy Masking (16 zones + 8 zones)
- Smart IR (No Saturation)
- Internal IR LED : 30 pcs

Dimension



Tech Note

One Cable Solution Power supply and Control over One Coax Cable

- PoC(Power over Coax) : Only one Coax Cable is required to supply power. Do not require any power line.
- CoC(Control over Coax) : Only one Coax Cable is required to control camera. Do not require RS485 line.



4M QHD

4M QHD(2560×1440) is perfect for large area coverage and identifying objects at great distances.

SONY STARVIS Image Sensor

Highly sensitive SONY STARVIS CMOS Sensor provides crystal clear image in low light condition.

Made in Korea

Different league from low priced Chinese products.
Proven quality of Made in Korea and reasonable price.



DVR/NVR



CAMERA



ACCESSORY



SOFTWARE

4M EX-SDI PoC Camera

K4000PD-IR30



Sensor Type		1/2.8" 5.1 Megapixel SONY CMOS Sensor
Output Pixels		2560 x 1440 (4M pixels) / 1920 x 1080 (2M pixels)
Scanning System		Progressive Scan
Lens	Filter	True Day & Night (ICR)
	Type	2.8~12mm DC IRIS VARIFOCAL LENS (ICR)
Video	Output	1 (BNC 1.0 Vp-p, 75Ω)
	Resolution	1440p30,25 / 1080p30,25
	Format	4M : EX-SDI2.1 / 2M : EX-SDI, EX-SDI 2.0
Video Control	AGC	LEVEL 0~10
	S/N Ratio	More than 52dB
	BLC	OFF / HLC / BLC / WDR
	ACE	OFF / LOW / MIDDLE / HIGH
	Min. Illumination	BW: 0.00025Lux@50IRE, 3100K, DSS(OFF), AGC(10)
		Color: 0.2Lux@50IRE, 3100K, DSS(OFF), AGC(10)
	DNR	OFF / LOW / MIDDLE / HIGH
	Iris Adjustment	DC / Manual
	White Balance	AUTO(NORMAL,VIVID,SOFT) / AUTOext / PRESET / MANUAL
	Electric Shutter	INDOOR / OUTDOOR / INDOOR-DEBLUR / OUTDOOR-DEBLUR / FLICKER / MANUAL (11 Steps)
	OSD Language	ENG
	Day&Night	COLOR / BW / EXTERN / AUTO
	Defog	OFF / ON (AUTO, MANUAL-LOW / MIDDLE / HIGH)
	Privacy	OFF / ON (Programmable 24 zones)
	DSS	OFF / AUTO / X2~X32
	Digital Effect	OFF / H-MIRROR / V-MIRROR
	IR LED	30 pcs
Smart IR	OFF / ON	
OSD Control	OSD Key / CoC (UCC-A)	
Input Voltage		DC 48V(±10%, Coax)
Power Consumption		IR OFF : 3W (MAX) / IR ON : 6W (MAX)
Operation Temp./Humidity		-10℃ ~ +50℃ / MAX 90% RH
Storage Temp./Humidity		-20℃ ~ +60℃ / MAX 90% RH
Certification		KC

* Specifications are subject to change without notice for product improvement.