



DVR/NVR



CAMERA



ACCESSORY



SOFTWARE

Network Camera

NK1080D-F2.8

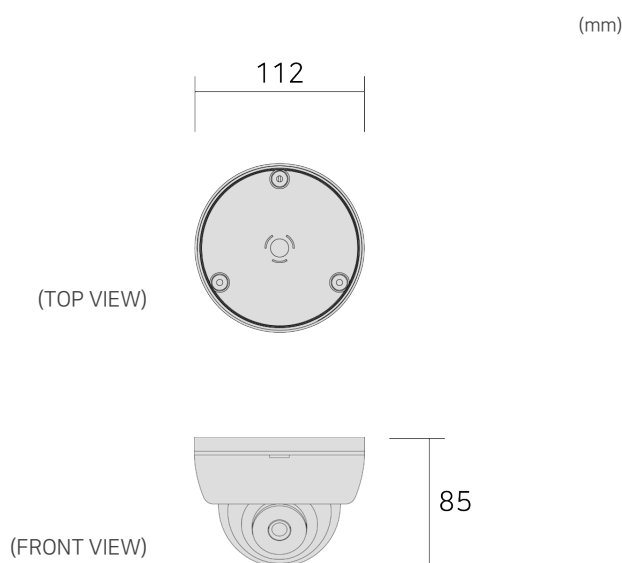
SONY STARVIS | Onvif | PoE



Key Features

- 1/2.8", 2.1M Sony Image Sensor
- Supports 2 H.264 streams including 1920x1080 30fps and 1 JPEG stream
- Max 6 streams connection simultaneously (3 users based on NVR)
- 3DNR (Noise reduction)
- Digital Image Stabilizer (DIS)
- True Day&Night (ICR)
- Support De-Fog function
- Supports Onvif / PoE
- Supports IPv4

Dimension



Tech Note

SONY STARVIS Image Sensor

Highly sensitive SONY STARVIS CMOS Sensor provides crystal clear image in low light condition.

Higher performance SoC

High performance ISP functions such as 3DNR, WDR, and etc.
Revolutionary response speed and stabilized performance.

3D-DNR 3D-Digital Noise Reduction

Advanced 3D-DNR technology detects and eliminates unnecessary noise by conducting comprehensive analysis of image pixels.

WDR Wide Dynamic Range

Realize one clear image by combining overexposed and underexposed identical images in backlight condition.

Made in Korea

Different league from low priced Chinese products.
Proven quality of Made in Korea and reasonable price.



DVR/NVR



CAMERA



ACCESSORY



SOFTWARE

Network Camera

NK1080D-F2.8



| CAMERA | | |
|--------------------------|---|---|
| Sensor Type | 1/2.8", 2.1Megapixel Sony | |
| Sensor Pixels | 1920(H) x 1080(V) = 2.1M pixels | |
| Scanning System | Progressive Scan | |
| Min. Illumination | Color | 0.2Lux@50IRE / F1.2 / 3100K / AGC:10(TBD) |
| | B/W | 0.0005Lux@50IRE / F1.2 / 3100K / AGC:10(TBD) |
| Lens | Filter | True Day & Night (ICR) |
| | Type | 2.8mm Fixed Mega Pixel Lens |
| Camera Functions | Day & Night | AUTO / COLOR / BW / EXTERN |
| | WDR | LOW / MIDDLE / HIGH |
| | BLC | OFF / ON |
| | HCL | LEVEL(0~20) / COLOR |
| | AGC | 0~10 |
| | ACE | OFF / LOW / MIDDLE / HIGH |
| | DNR | OFF / LOW / MIDDLE / HIGH |
| | DSS | OFF / AUTO / x2 / x4 / x8 / x16 / x32 |
| | SHARPNESS | 0~10 |
| | Mirror | Horizontal / Vertical |
| | White Balance | AUTO / AUTOext / PRESET / MANUAL |
| | Electric shutter | INDOOR / OUTDOOR / INDOOR-ANTI BLUR / OUTDOOR-ANTI BLUR / MANUAL (1/30~1/30000 / 12steps) |
| | Privacy | ON / OFF (BOX-10 Positions) |
| | DE-FOG | OFF / ON (MODE, LEVEL) |
| IR LED | - | |
| VIDEO | | |
| Compression Type | H.264 (MPEG4 AVC) Baseline@L3.0 / MJPEG | |
| Resolution | 1st : 1920×1080, 1280×720, 800×600, 704×480, 704×400, 640×360, 480×272, 320×184 2nd : 640×360, 480×272, 320×184 3rd : 1920×1080 | |
| Bitrate | 128Kbps ~ 5Mbps | |
| Frame Rate | 30fps@1080p | |
| Streaming | 1st : H.264 Stream up to 1080p 30fps 2nd : H.264 nHD Stream, 30fps 3rd: JPEG 1080p Stream, 1fps | |
| NETWORK & SOFTWARE | | |
| Network & Software | Interface | 1 Fast Ethernet RJ-45 port (10/100Mbps) |
| | Network Type | Fixed IP, DHCP |
| | DDNS | Not Supported |
| | Port | HTTP : 80 / RTSP : 554 |
| | Protocol | HTTP, RTSP/RTP, Onvif(TBD), TCP/IP, UDP, ARP, ICMP, DHCP |
| | Onvif | Support |
| | Simultaneous Users | Max. 3 users |
| | DST | TBD |
| | NTP | Support |
| | IP Address Filtering | TBD |
| | Web Browser | IE 11 |
| | Web Monitoring | IE : ActiveX based / Other browser : JPEG based |
| | Web Configuration | Multi-platform web config / Desktop (Mac, Linux, Windows) |
| | NVR | NVRs supporting Onvif |
| PC CMS Software | Control Center Standard (bundle), Control Center Pro | |
| Relay Server | WinRDS | |
| ENVIRONMENTAL & PHYSICAL | | |
| Power Source | DC 12V ± 10%, PoE(36V~57V, option) | |
| Power Consumption | 150mA (MAX) | |
| Operating Temperature | -10°C ~ 45°C | |
| Humidity | 0% RH ~ 80% RH | |
| Certification | KC | |

* Specifications are subject to change without notice for product improvement.